

Single Column, Compression, Rocker Load Cell



FEATURES

- Capacity range: 35t and 55t
- Double rocker, self-aligning design
- Full stainless steel construction
- OIML approved to 6000d (OIML R60)
- Easy corner calibration with current matched (mV/V)/ohm output
- Sealed by welding to IP68
- Low profile design (height 35t = 125mm, 55t = 153mm)

OPTIONAL FEATURES

- II 2G EEx ia IIC T4 - ATEX hazardous area approval
- V_{min} approval limit: $y = E_{max}/V_{min} = 23,333$
- Mounting kit with integral anti-rotation restraint

DESCRIPTION

The Model 115 is a single column, double rocker load cell with inherent self-aligning capability.

Full stainless steel welded construction, conforming to IP68, ensures reliable performance in harsh, washdown areas.

Approvals include OIML C6 (6000 divisions) and optional II 2G EEx ia IIC T4 - ATEX conformation for hazardous areas.

Output calibration by current matching (mV/V)/ohm eliminates time consuming corner calibration procedures in multicell applications

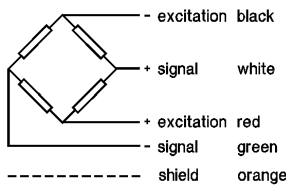
Available mounting hardware provides easy installation for weighbridge applications.

APPLICATIONS

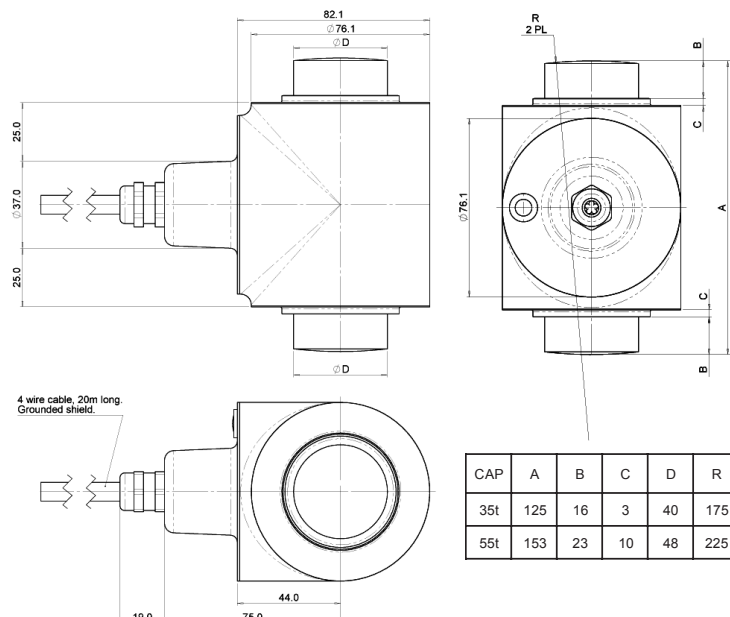
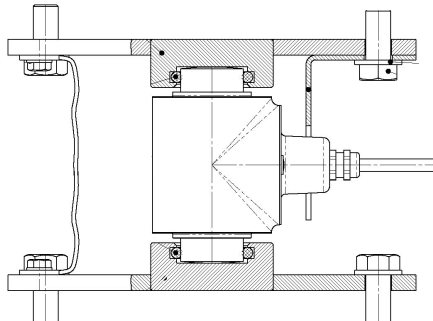
- Truck weighbridges
- Silo and hopper weighing
- Train "rail" scales
- Process weighing

OUTLINE DIMENSIONS in millimeters

Cable color code



Optional mounting kit - consult VT Sales Office



Model 115

Vishay Tedea-Huntleigh

Single Column, Compression,
Rocker Load Cell



SPECIFICATIONS

PARAMETER	VALUE				UNIT
Rated capacity-R.C. (E_{max})	35, 55				ton
NTEP/OIML Accuracy class	C1*	C3**	C3.5**	C6***	
Maximum no. of intervals (n)	1000	3000	3500	6000	
$Y = E_{max}/V_{min}$	5000	10000	11667	11667	Maximum available
Rated output-R.O.	2.0				mV/V
Rated output tolerance	0.1				±% of rated output
Zero balance	0.2				+mV/V
Total Error	0.030	0.020	0.018	0.010	±% of rated output
Zero Return, 30 min.	0.050	0.017	0.0140	0.0083	±% of applied load
Temperature effect on zero	0.0028	0.0014	0.0012	0.0012	±% of rated output/°C
Temperature effect on output	0.0023	0.0012	0.0010	0.00058	±% of applied load/°C
Temperature range, compensated	-10 to +40				°C
Temperature range, safe	-40 to +80				°C
Temperature range, storage	-40 to +90				°C
Maximum safe central overload	150				% of R.C.
Ultimate central overload	300				% of R.C.
Maximum safe side load	10				% of R.C.
Excitation, recommended	10				Vdc or Vac rms
Excitation range	5 ... 20				Vdc or Vac rms
Input impedance	1200±60				Ohms
Output impedance	1000±10				Ohms
Insulation resistance	>2000				Mega-Ohms
Cable length	20				m
Cable type	4 wire, 0.75mm ² PVC jacket grounded shield				Standard
Construction	Stainless steel, welded seal				
Environmental protection	IP68				

- * 20% utilization (reference)
- ** 30% utilization
- *** 52% utilization