

Compression Load Cell



DESCRIPTION

Model 116 is a high capacity single column compression load cell. The alloy steel compression element is nickel plated using coated aluminum housing. Hermetically sealed with high grade potting material provide an environment protection IP66/IP68. Built in autorotation pin..

Suitable for all heavy duty weighing applications the 116 gives the user high accuracy and low installation cost.

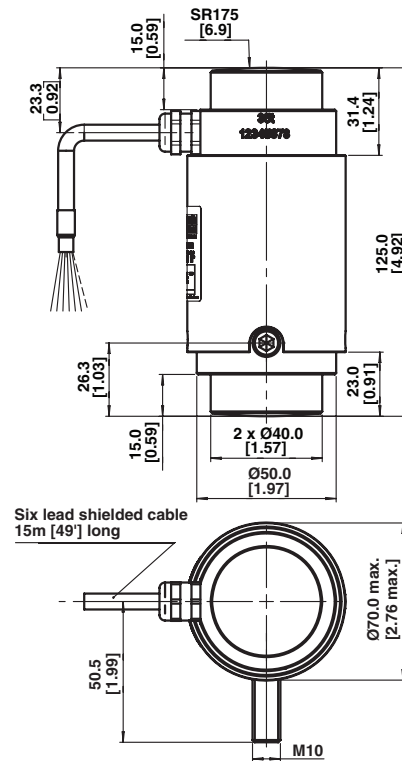
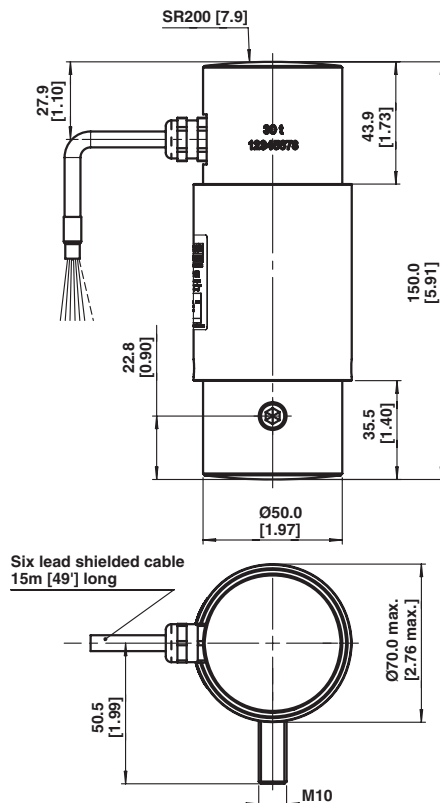
FEATURES

- Capacities: 20, 30, 35 and 40t
- Self aligning single column
- Compact and economical design with high performances
- Hermetically sealed, IP66/IP68 - 5bar
- Certificate OIM - pending
- Current calibration output ensures easy and accurate parallel connection of multiple load cells
- Optional two dimensions

APPLICATIONS

- Weighbridges
- Silo and hopper weighing
- Process weighing

OUTLINE DIMENSIONS in mm [inches]



SPECIFICATIONS				
PARAMETER	VALUE			UNIT
OIML Accuracy class	Non Approved	C3	C3MR	
VTH Accuracy class	E	G4	G2	
Minimum utilization	NA	40	20	% of R.C.
Maximum no. of intervals (n)	NA	3000		
Rated capacity-R.C. (E_{max})	Standard: Short:	20, 30, 40 35		t
Rated output-R.O.	2.0			mV/V
Rated output tolerance	0.02			±mV/V
Zero balance	0.02			±mV/V
Nominal U/R ratio	2.000			μA/Ω
U/R ratio error	0.08			±%
Creep, 30 min.	0.074	0.025		±% of load
Zero return, 30 min.	0.050	0.017		±% of load
Total error	0.060	0.020		±% of R.O.
Temperature effect on output	0.0023	0.0012		±% of load/°C
Temperature effect on zero	0.0028	0.00186	0.00093	±% of R.O./°C
$Y = E_{max}/V_{min}$	NA	7500	15000	
Temperature range, compensated	-10 to +40			°C
Temperature range, safe	-30 to +70			°C
Temperature range, storage	-40 to +90			°C
Maximum safe static overload	150			% of R.C.
Ultimate static overload	300			% of R.C.
Excitation, recommended	10			Vdc or Vac rms
Excitation, range	5 to 20			Vdc or Vac rms
Input impedance	1200±60			Ω
Output impedance	1000±10			Ω
Insulation resistance	>2000			MΩ
Cable length	15			m
Cable type	6 conductors, AWG 26, PU jacket			
Color code	+Exc: Green, +Sig: White, +Sen.: Blue -Exc: Black, -Sig: Red, -Sen.: Brown Shield: Bare, twisted braid			
Construction	Coated alloy steel, coated aluminum housing, environmental potting, quadruple O-ring seal			
Environmental protection	IP66/IP68 - 5bar			