

High Temperature Load Cell



FEATURES

- Operational to 400°F
- Compact - rugged
- Low deflection
- Environmentally sealed
- 20,000 to 200,000 pound capacities

DESCRIPTION

C2G1-H load cells operate at temperatures up to 400°F without needing external cooling. Ability to withstand extreme heat makes C2G1-H cells the perfect choice for weighing molten metals. Other applications include tank and scale installations in locations that are subject to intense heat.

Double diaphragm fabrication and gage linearizing combine to offer precision performance and long term reliability. Low deflection and superior sealing guarantee trouble-free operation. Relatively low mass and small deflection under load, produce

excellent frequency response. Overall, C2G1-H cells perform superbly in severe environments where other transducers cannot.

APPLICATIONS

- High temperature environments

SPECIFICATIONS

PERFORMANCE

Rated Output	2mV/V +/- 0.25%
Non-Linearity - % RO	0.20
Hysteresis - % RO	0.10
Repeatability - % RO	0.10
Creep - % RO (20 min.)	0.10

ELECTRICAL

Recommended Excitation	10Vac-dc
Zero Balance - % RO	2.5
Input Resistance (ohms)	375 +/-8 @ 400°F
Output Resistance (ohms)	350 +/-10.0
Number of Bridges	single

Min. Insulation Resistance - megohms (@ 50Vdc)	
Bridge to Ground	1000 megohms
Shield to Ground	1000 megohms
Electrical Connection	20 feet cable

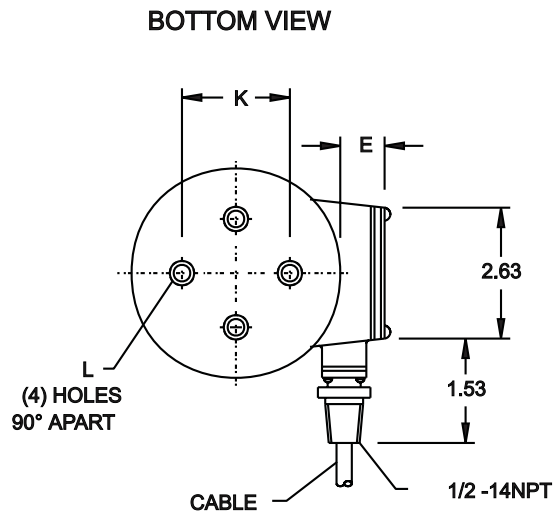
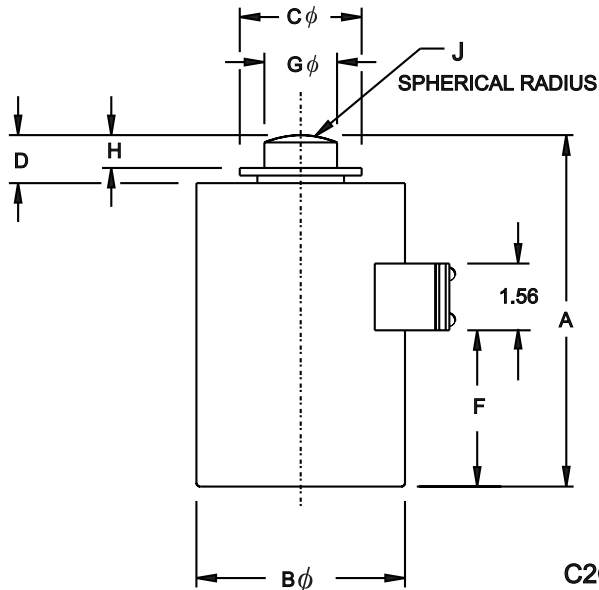
TEMPERATURE

Safe Range	+ 15 to + 400°F
Compensated Range	+ 15 to + 400°F
Effect on Zero Balance	0.00025% RO/°F
Effect on Rated Output	0.005% Load/°F

ADVERSE LOAD RATINGS

Safe Overload - % RO	150
Ultimate Overload - % RO	300

DIMENSIONS



C2G1-H

CAPACITY (lbs)	A	Bφ	Cφ	D	E	F	Gφ	H	J	K	L
20,000	7 1/2	4 1/2	2 1/4	3/4	7/8	3 7/16	1 1/4	1/2	6	2 3/8	3/8-24UNF-2B X 3/8 DP
50,000	7 1/2	4 1/2	2 1/4	3/4	7/8	3 7/16	1 1/4	1/2	6	2 3/8	3/8-24UNF-2B X 3/8 DP
100,000	9 1/8	6	3 1/8	1 1/16	1 1/32	4 3/4	1 3/4	5/8	12	4	1/2-20UNF-2B X 3/4 DP
200,000	11 5/8	8	4 1/2	1 1/16	1 1/8	6 1/4	2 1/2	5/8	12	5 1/2	5/8-18UNF-2B X 1 DP