

## Single-Column Compression Cell

### FEATURES

- Capacities: 6 to 280 ton
- Low profile design
- Sealing: IP66 (EN 60.529)
- Trimmed output ensures easy and accurate parallel connection of multiple load cells
- Specially designed mounting arrangements are available for vessel weighing

### APPLICATIONS

- Vessels weighing
- High capacity platforms
- Tank and silo
- Process weighing

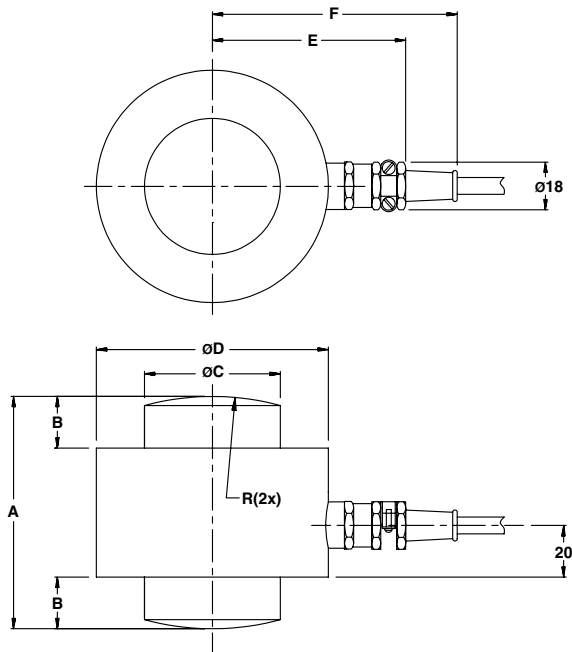
### DESCRIPTION

The KSR is a sealed, single column, compression load cell. This product is suitable for high capacity platform scales and level control or process weighing in general.



A reliable sealing and mechanical protection of the strain gage area is ensured by the use of stainless steel diaphragms and a housing which are cemented to the measuring element.

### OUTLINE DIMENSIONS in millimeters



E <sub>max</sub>	6	13	28	60	130	280
A	56	68	74	90	116	170
B	8	12	14	20	26	45
C	16.7	24.5	36.0	52.7	77.5	114
D	45	55	64	90	121	165
E	52.5	57.5	62.0	75.0	90.5	112.5
F	71.5	76.5	81	94	109.5	131.5
R	50	66	72	100	125	183

#### Cable specifications

Cable length: 10 m (6T version: 5m)  
 Excitation + Red  
 Excitation - White  
 Output + Black  
 Output - Blue  
 Shield Transparent / Yellow  
 Cable screen is not connected to the load cell body.

### Single-Column Compression Cell

SPECIFICATIONS			
PARAMETER	VALUE		UNIT
Standard capacities ( $E_{max}$ )	6, 13, 28, 60, 130, 280		ton
Accuracy class according to type designation	Non-Approved – R2	Non-Approved – R1	
Rated output (FSO)	1.5		mV/V
Rated output tolerance	0.008		±mV/V
Zero balance	1.5		±% FSO
Combined error	0.200	0.1000	±% FSO
Minimum dead load output return	0.0700	0.0500	±% FSO
Creep error (30 minutes)	0.0800	0.0600	±% FSO
Creep error (20 - 30 minutes)	0.0200	0.0150	±% FSO
Temperature effect on minimum dead load output	0.025	0.025	±% FSO/5°C
Temperature effect on sensitivity	0.2500	0.2500	±% FSO/5°C
Minimum dead load	0		% $E_{max}$
Maximum safe overload	120		% $E_{max}$
Ultimate overload	300		% $E_{max}$
Maximum safe side load	10		% $E_{max}$
Deflection at $E_{max}$	0.35 / 0.53 / 0.80 / 1.22 / 1.85 / 2.67		mm
Excitation voltage	5 to 12		V
Maximum excitation voltage	15		V
Input resistance	275±30		Ω
Output resistance	245±0.2		Ω
Insulation resistance	≥50		MΩ
Compensated temperature range	-10 to +40		°C
Operating temperature range	-20 to +70		°C
Storage temperature range	-30 to +80		°C
Element material (DIN)	Tool steel		
Finish	Epoxy painting		
Sealing (DIN 40.050 / EN60.529)	IP66		

FSO – Full Scale Output

#### Mounting:

Correct mounting of the load cells is essential to ensure optimum accuracy and performance. Further information is available upon request.

All specifications subject to change without notice.