

## Self-Contained Weighing Module

### FEATURES

- Capacities 3–90 kg
- Unique adjustable tare load cancelling mechanism
- Highly effective viscous damping
- 6 Built-in overload limit stops in three directions
- Weighing speed is much faster than standard load cell
- IP65 protection
- **Optional**
  - Stainless steel version
  - IP66 with additional breather tube



### DESCRIPTION

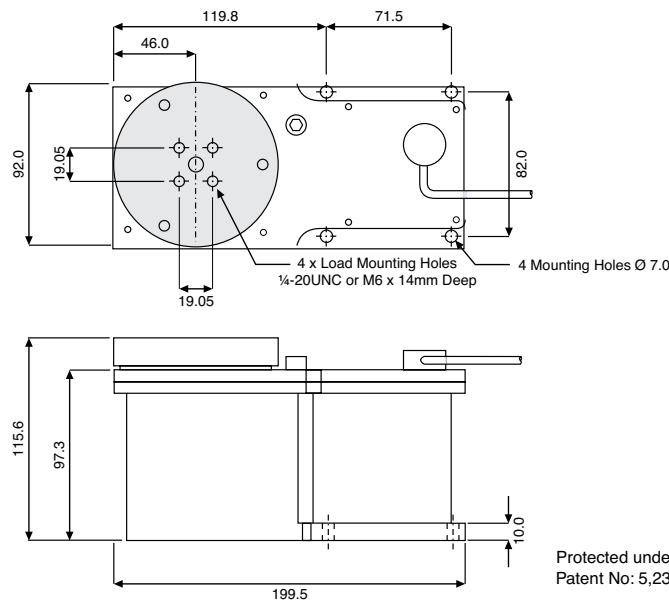
Model 9010 is a self-contained weighing module for use in repeated shock-loading applications or where fast weighing and settling times are required such as multihead weighers, check weighers and other static and dynamic weighing applications characterized by sudden or impact loading.

Model 9010's unique fluid damping system allows the load cell to be used in applications that previously required the use of LVDT's or similar types of measuring devices.

The Model 9010 has a unique adjustable tare load cancellation feature which brings load cell adaptability into check weighing and grading applications.

The two additional sense wires feed back the voltage reaching the load cell. Complete compensation of changes in lead resistance due to temperature change and/or cable extension, is achieved by feeding this voltage into the appropriate electronics.

### OUTLINE DIMENSIONS in millimeters



Protected under U.S.  
Patent No: 5,232,062

### Self-Contained Weighing Module

#### HIGH PERFORMANCE DYNAMIC WEIGHING

Weigh Module 9010 consists of a Tedea-Huntleigh single-point load cell enclosed in an environmentally protected, electroless nickel-plated aluminum housing. The Module integrates load cell performance, viscous damping, adjustable tare offset mechanism and overload protection.

#### LOAD CELL

Tedea-Huntleigh's Model 1010, 1040 or 1140 single-point load cells can be used in the Model 9010. Standard capacities 3 kg to 90 kg; for higher capacities, consult Tedea-Huntleigh.

#### OVERLOAD PROTECTION

Model 9010 is equipped with built-in overload stops for positive (push), negative (pull) and twisting loads. These stops are factory adjusted for each specific application.

#### DAMPING

Model 9010 features a unique viscous damping technique developed and patented by Tedea-Huntleigh, which provides:

- Faster settling time
- Higher weighing speeds
- Load cell protection (extended working life)

Damping parameters are factory set for each specific application.

#### TARE LOAD CANCELLING

Model 9010 features an adjustable tare load cancelling mechanism which provides a tare offset of up to 35 kg (in several ranges). The tare offset is factory set but may be adjusted by the user. This feature enables the use of a lower capacity load cell, resulting in electronic circuits with lower gains, lower noise, higher stability and lower temperature drifts.

An example for the power of tare cancelling:

Assume an application with 5 kg dead load and 2 kg (useful) load.

1. Without tare cancelling: Total load of 5+2 is 7 kg, therefore, a load cell with capacity of at least 10 kg has to be selected.
2. With tare cancelling: The 5 kg dead load can be opposed and effectively cancelled by the Tare Cancellation Mechanism, leaving a load of 2 kg only, hence a capacity of 3 kg can be selected.
3. Results: A capacity of 3 kg rather than of 10 kg is enabled by the Tare Cancellation feature for a gain of over 3 times in resolution and noise.

#### LOAD CELL LIFE

Because of the design and unique features of Model 9010, the life of the load cell is increased substantially. For example, in one typical set of life tests, the undamped load cell failed after approximately 300,000 cycles. The damped load cell held without any significant deterioration for more than 300 million cycles. In this test a Model 1010 10-kg load cell was used. A dead load of 2.5 kg was mounted 150 mm from the mounting center. A 4.5 kg impact was applied at that point at a rate of 8 times/sec.

#### ENVIRONMENTAL PROTECTION

The load cell in the Model 9010 is completely enclosed in a rugged, electroless nickel-plated aluminium or stainless steel housing to withstand splashing. It is environmentally protected to IP65, a special "breather valve" allows atmospheric pressure equalization while excluding splashing liquids.

With an optional addition of a breather tube the protection is rendered IP66. A built-in shut-off valve is used for shipping.

#### SETTLING TIME

Settling time is the elapsed time from the instant of loading to the time the load cell's signal remains within the user specified accuracy. Settling time is affected by the following parameters.

1. Total mass on the module and it's distance from the mounting center
2. Impact loading characteristics
3. Environmental temperature change

For optimum performance, the above parameters must be specified by the user for each order.

Self-Contained Weighing Module

**APPLICATION AND ORDER DATA**

TO BE COMPLETED BY THE CUSTOMER

CUSTOMER'S NAME ..... ORDER No. ....

CONTACT PERSON ..... DATE .....

APPLICATION ..... No. of UNITS .....

TOTAL TARE WEIGHT (DEAD LOAD)..... kg; FOR EACH UNIT..... kg

TOTAL USEFUL WEIGHT (LIVE LOAD) ..... kg; FOR EACH UNIT..... kg

DESCRIBE LIVE LOAD (POWDER, FRUIT, SCREWS ETC) .....

REQUIRED SETTLING TIME .....msec; ACCURACY.....

OPERATING TEMPERATURE RANGE °C: .....

MOUNTING THREADS ..... mm (6x1) ..... inch (1/4 UNC)

PREFERRED LOAD CELL, IF ANY .....

1. CHECK WEIGHER (SEE SKETCH BELOW): .....

SIZE OF CONVEYOR PLATFORM: .....

WIDTH..... cm; A ..... cm; B ..... cm; C ..... cm

SPEED OF BELT ..... cm/sec; SIZE OF WEIGHED PRODUCT IN MOVEMENT DIRECTION ..... cm

TARE WEIGHT DISTRIBUTION: CONVEYOR: ..... kg; MOTOR:..... kg

2. HOPPER OR OTHER APPLICATION (SEE SKETCH BELOW): .....

CENTER OF GRAVITY (CofG) OF DEAD LO AD, (ESTIMATE IF NECESSARY): D..... cm; F ..... cm

LOADING POSITION: D ..... cm; F ..... cm; DROP HEIGHT:..... cm

IF LOAD CofG VARIES, MAX DIST. BETWEEN EXTREMES ..... cm

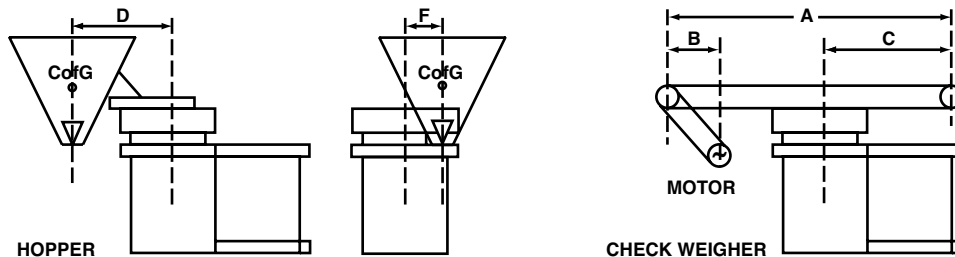
SPECIAL REQUIREMENTS

CABLE LENGTH IF NOT STANDARD (1 m) ..... ; DELIVERY REQUESTED .....

CORNERS ACCURACY: TEST WIGHT (MAX. ALLOWED 1/3 OF LOAD CELL CAPACITY) ..... kg

DISTANCE FROM CENTER .....cm VARIATION ALLOWED .....

DEFINITION OF LOADING POSITION RELATIVE TO 9010



## Self-Contained Weighing Module

SPECIFICATIONS		
PARAMETER	VALUE	UNIT
Rated capacity—R.C.	3, 5, 7, 10, 15, 20, 30, 50, 90	kg
TH accuracy class	G	
Maximum no. of intervals (n)	3000	
Rated output—R.O.	2.0	mV/V
Rated output tolerance	0.2	± mV/V
Total error*	0.030	±% of R.O.
Temperature effect on span*	0.002	±% of R.O./°C
Temperature effect on zero: load cell	0.004	±% of load/°C
Temperature effect on zero: buoyancy	0.15	+gr/°C rise
Temperature effect on zero: tare offset	0.25 x tare offset (kg)	+gr/°C rise
Temperature range - standard*	10 to 30	°C
Tare offset ranges	0 to 35	kg
Safe static overload downward at mounting center	800	% of R.C.
upward at mounting center	400	% of R.C.
200 mm in front or side of mounting center	200	% of R.C.
Settling time—typical	40–300	millisecond
Temperature effect on settling time	2	%/°C
Excitation, recommended	10	VDC or VAC RMS
Excitation, maximum	15	VDC or VAC RMS
Input impedance	415±15	Ω
Output impedance	350±5	Ω
Insulation resistance	>5000	MΩ
Weight	3	kg
Construction	Anodized body, electroless nickel plating**	
Environmental protection	IP65***	

\* Extended temperature ranges and smaller temperature effects are available upon request.

\*\* Optional stainless steel coating available upon request.

\*\*\* IP66 available with additional breather tube.

All specifications subject to change without notice.

### Wiring Schematic Diagram

