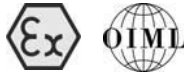


Weigh Module



FEATURES

- Capacity: 50kN (11.2Klb)
- Simple Installation
- Moveable load point
- Withstands very high lateral forces
- Extremely accurate and rugged
- ATEX and OIML approval

DESCRIPTION

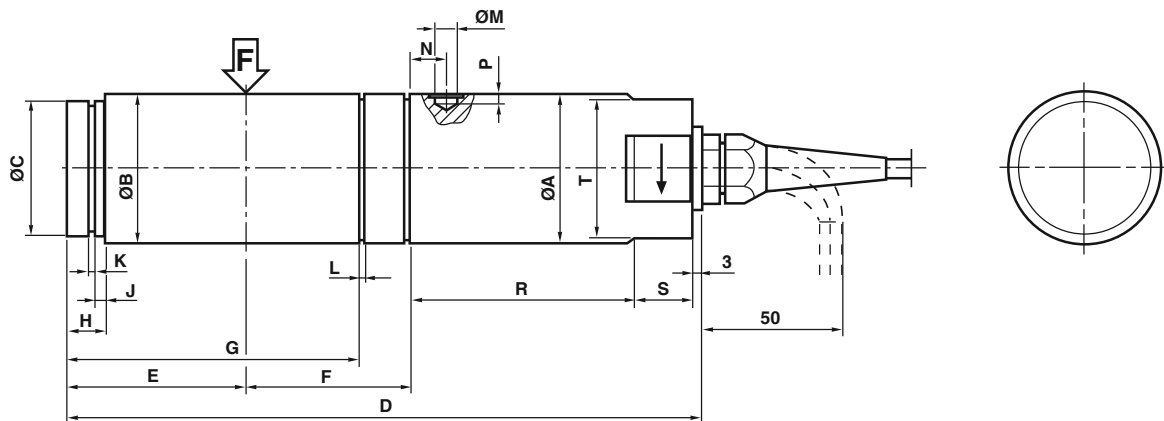
The KIS-11 load cell has several features that clearly distinguish it from other load cells. KIS-11 cells are easy to install and extremely accurate, even when subjected to dynamic process forces and severe environmental conditions.

All KIS load cells can be ATEX certified for use in explosive atmospheres.

APPLICATIONS

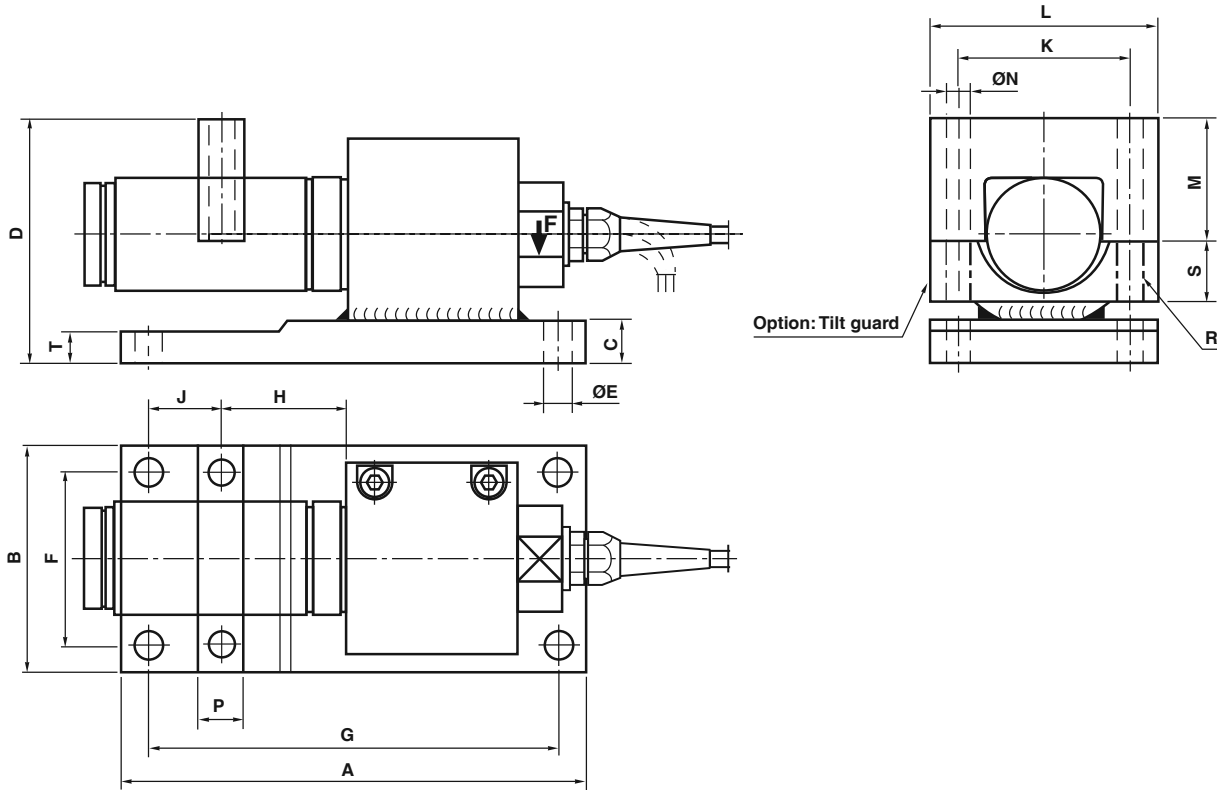
- Batch/blend/mix systems
- Reactor vessels
- Quality-critical process weighing
- Precision force measurement

OUTLINE DIMENSIONS



RANGE kN	ØA	ØB	ØC	D	E	F	G	H	J	K	L	ØM	N	P	R	S	T
50	77	75	70	291	93	65	141.3	12	5	2.65	2.65	9.1	14	7	110	20	60

OUTLINE DIMENSIONS cont.



RANGE kN	A	B	C	D	ØE	F	G	H	J	K	L	M	ØN	P	T	R	S
50	280	150	30	152	16	115	245	65	45.5	115	150	72	18	30	30	M16	43

SPECIFICATIONS

Rated load (R.L.)		50	kN
Combined error (terminal)		±0.02	% of R.O.
Repeatability		0.01	% of R.O.
Overload	safe	100*	% of R.L.
	ultimate	200*	% of R.L.
Sideload	safe	100*	% of R.L.
	ultimate	200*	% of R.L.
Input voltage	recommended	10	V DC or AC
	maximum	18	V DC or AC
Input resistance		350±3	ohm
Output resistance		350±0.5	ohm
Rated output (R.O.)		1.020	mV/V
Tolerance of R.O.		±0.1	% of R.O.
Zero balance		±1	% of R.O.
Tolerance of shunt calibration values		±0.1	% of value**
Creep at R.L. after 30 minutes		±0.04	% of R.L.
Temperature range		-40 to +80 (+100)***	°C
Temperature effect (-10°C to +50°C)	on output	±0.0010	% of output/°C
	on zero balance	±0.0014	% of R.O./°C
Insulation resistance at 200V DC		>4	Gohm
Material: Load Cell		Stainless steel	
Material: Bracket and Yoke		Yellow chromate steel****	
Electrical connection		10m shielded four conductor cable	
Degree of protection		IP 67	
* Referring to recommended loading case		ATEX certified versions for use in explosive atmospheres are available: II 1GD	
** See calibration sheet of the load cell			
*** -40 to +100°C on demand			
**** Stainless steel on demand			
		Approved in accordance with OIML International Recommendations R 60 edition 1991, C3.	