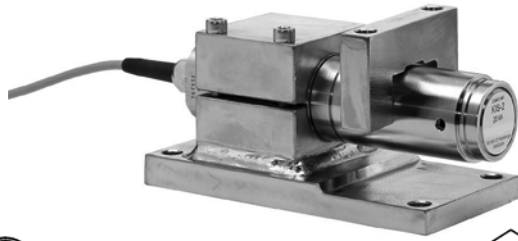


Weigh Module



FEATURES

- Capacity range: 0.5, 2, 5, 10, 20, 30, and 50kN (112, 450, 1.12K, 2.25K, 4.5K, 6.75K, and 11.2Klb)
- Simple installation
- Moveable load point
- Withstands very high lateral forces
- Extremely accurate and rugged
- ATEX/FM/CSA certified for hazardous locations

DESCRIPTION

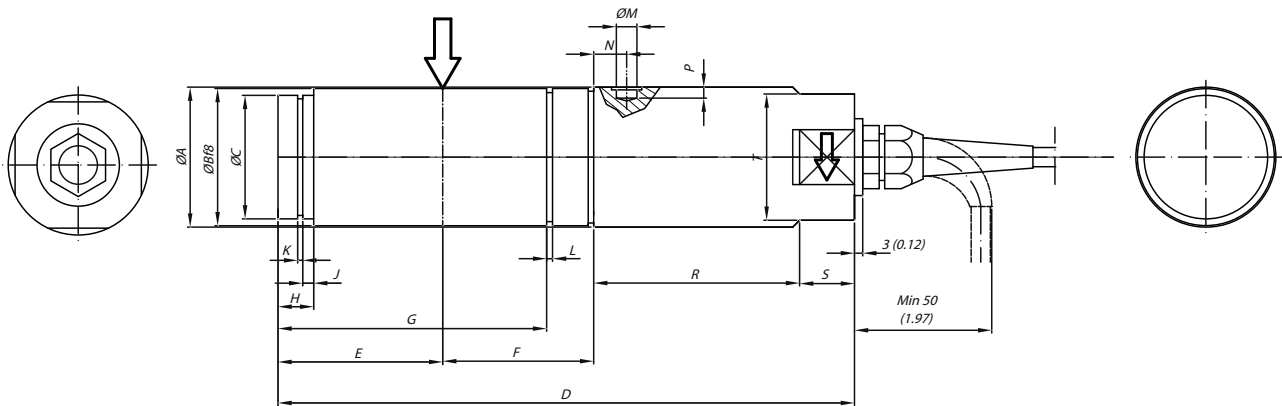
The KIS-2 load cells have several features that clearly distinguish them from other load cells. They are easy to install and extremely accurate, even when subjected to dynamic process forces and severe

environmental conditions. All KIS load cells can be ATEX/FM/CSA certified for use in explosive atmospheres.

APPLICATIONS

- Batch/blend/mix systems
- Reactor vessels
- Quality-critical process weighing
- Precision force measurement
- Conveyor belts

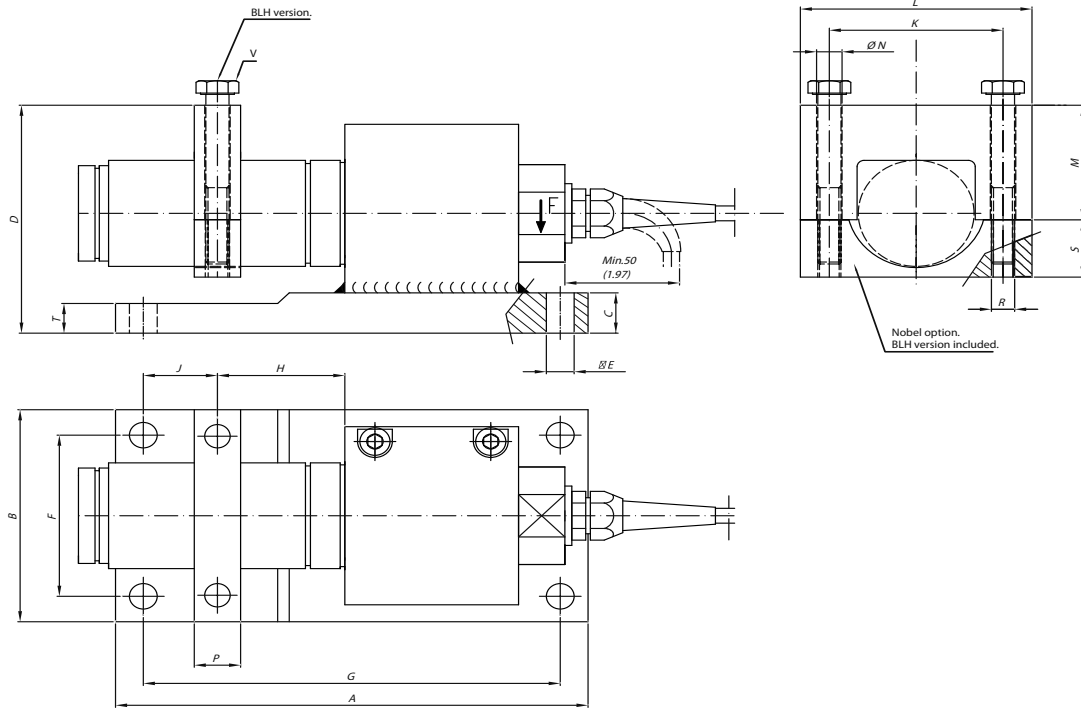
OUTLINE DIMENSIONS



RANGE kN	ØA	ØB	ØC	D	E	F	G	H	J	K	L	ØM	N	P	R	S	T
0.5-1-2-5	34 (1.34)	33 (1.30)	29 (1.14)	169 (6.65)	46 (1.81)	35 (1.38)	-	10 (.39)	2.5 (.10)	1.6 (.06)	-	4.4 (.17)	10 (.39)	2.3 (.09)	70 (2.75)	15 (.59)	30 (1.18)
10-20-30	51 (2.00)	50 (1.97)	45 (1.77)	213 (8.38)	60 (2.36)	55 (2.16)	97.85 (3.85)	13 (.51)	4 (.16)	1.85 (.07)	2.15 (.08)	7.5 (.29)	12 (.47)	5 (.20)	75 (2.95)	20 (.79)	46 (1.81)
50	77 (3.03)	75 (2.95)	70 (2.76)	288 (11.34)	93 (3.66)	65 (2.56)	141.3 (5.56)	12 (.47)	5 (.20)	2.65 (.10)	2.65 (.10)	9.1 (.36)	14 (.55)	7 (.28)	110 (4.33)	20 (.79)	60 (2.36)

Dimension shown in MM (inch)

OUTLINE DIMENSIONS cont.



RANGE kN	A	B	C	D	ØE	F	G	H	J	K	L	M	ØN	P	T	R	S
0.5-1-2-5	175 (6.89)	75 (2.95)	14 (.55)	81 (3.19)	12 (.47)	51 (2.01)	151 (5.94)	35 (1.38)	31 (1.22)	55 (2.17)	70 (2.76)	41 (1.61)	8.5 (.33)	20 (.88)	14 (.55)	M8	19 (.75)
10-20-30	204 (8.03)	100 (3.93)	19 (.75)	107.5 (4.23)	12 (.47)	76 (2.99)	180 (7.08)	55 (2.16)	32 (1.26)	75 (2.95)	100 (3.93)	54 (2.12)	11 (.43)	20 (.79)	14 (.55)	M10	27 (1.06)
50	280 (11.02)	150 (5.90)	30 (1.18)	152 (5.98)	16 (.63)	115 (4.53)	245 (9.64)	65 (2.56)	45.5 (1.79)	115 (4.53)	150 (5.90)	72 (2.83)	18 (.71)	30 (1.18)	30 (1.18)	M16	43 (1.69)

RANGE kN	V
0.5-1-2-5	M8-1.25X70 (2.755) LG
10-20-50	M10-1.5X90 (3.543) LG
50	M16-2X120(4.724) LG

Dimension shown in MM (inch)

KIS-2 TECHNICAL DATA

Rated load (R.L.)		0.5, 1, 2, 5, 10, 20, 30, 50	kN
Combined error (terminal)		± 0.05	% of R.O.
Repeatability		0.01	% of R.O.
Overload (referred to recommended loading point)	Safe	200, 150 for 30 kN and 50kN	% of R.L.
	Ultimate	300, 200 for 30 kN and 50kN	% of R.L.
Uplift	Safe	100	% of R.L.
	Ultimate	120	% of R.L.
Side load (referred to recommended loading point)	Safe	100, 50 for 30kN	% of R.L.
	Ultimate	200, 100 for 30 kN	% of R.L.
Input voltage	Recommended	10	V DC or AC
	Maximum	18	V DC or AC
Input resistance		350 ±3	Ohm
Output resistance		350 ±3	Ohm
Rated output (R.O.)		2.040	mV/V
Tolerance of R.O.		±0.25	% of R.O.
Zero balance		±5	% of R.O.
Tolerance of shunt calibration values		±0.25	% of value
Creep at R.L. after 30 minutes		±0.03	% of R.L.
Temperature range		-40 to +100	°C
		-40 to +212 Wider temperature range available upon request	°F
Temperature effect (-10°C to +50°C)	On output	±0.0033 ±0.00018	% of output/°C % of output/°F
	On zero balance	±0.0014 ±0.0008	% of R.O./°C % of R.O./°F
Insulation resistance at 200V DC		>4	Gohm
Material: Load Cell		Stainless steel	
Material bracket, yoke and tilt guard		Yellow chromate steel Stainless steel as an option	
Electrical connection		10 m shielded four conductor cable	BLH version
		5 m shielded four conductor cable	Nobel version
Degree of protection		IP 67	
ATEX/FM/CSA certified versions for use in explosive atmospheres are available upon request			
ATEX		II 1 GD	
FM		3611 (Class I, II, III; Div 1,2; Group A-G)	
CSA		C22.2 (Class I, II, III; Div 1,2; Group A-G)	