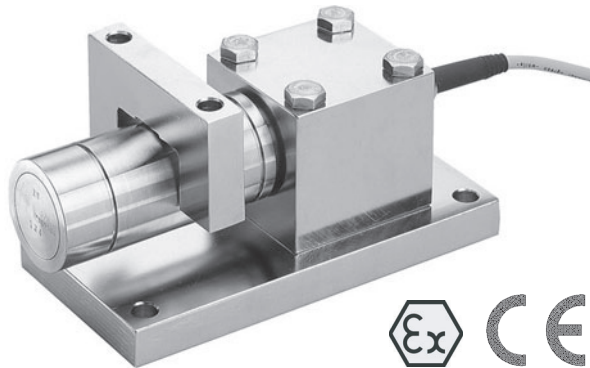


## Weigh Module



### FEATURES

- Capacity range - 1, 2, 5, 10, 20, 50, 100, and 200kN (225, 450, 1.12K, 2.25K, 4.5K, 11.2K, 22.4K, and 44.9K lb)
- Simple installation
- Moveable load point
- Withstands very high lateral forces
- Extremely accurate and rugged
- ATEX certified for hazardous locations

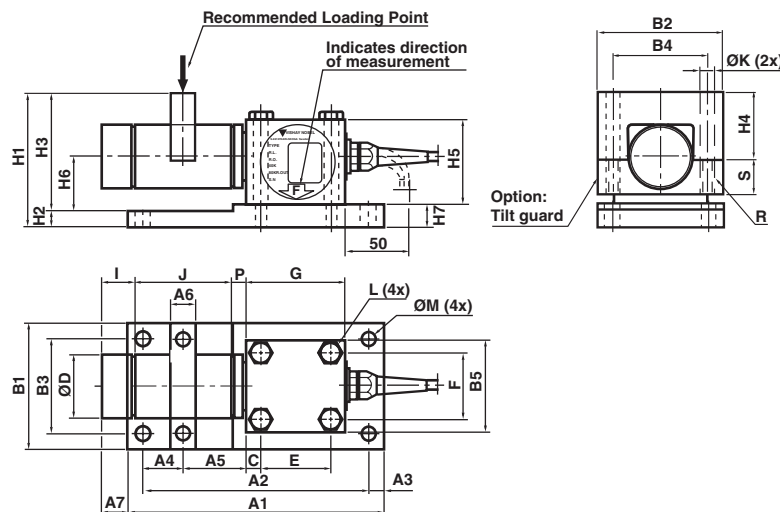
### APPLICATIONS

- Silo/bin/hopper inventory weighing systems
- Mixing and blending tanks
- Force measurement systems
- Conveyors

### DESCRIPTION

The KIS-8 load cell has several features that distinguish it from other load cells. It is easy to install and extremely accurate, even when subjected to disruptive industrial forces and harsh environmental conditions. All KIS load cells can be ATEX certified for use in explosive atmospheres.

### OUTLINE DIMENSIONS



RANGE kN	A1	A2	A3	A4	A5	A6	A7	B1	B2	B3	B4	B5	C	ØD	E	F	G
1-2	175	151	12	31	31	20	-6	75	70	51	55	48	14	33	54	39	78
5-10-20	204	180	12	32	50	20	21	100	100	76	75	73	12	50	56	53	79
50	280	245	17.5	46.5	65	30	21	150	150	115	115	97	14	75	72	72	97
100	310	270	20	63	65	39	22	170	160	130	126	118	15	90	78	88	108
200	340	300	20	71	65	49	37	180	190	140	146	132	16	100	92	96	128

RANGE kN	H1	H2	H3	H4	H5	H6	H7	I	J	ØK	L	ØM	P	Circlip (2x)	R	S
1-2	81	14	67	41	48	27.5	14	22	30	8.5	M6 x 60	11	16	32 x 1.5	M8	19
5-10-20	107.5	18	89.5	54	68	38.5	18	26.5	77	11	M10 x 80	12	11.5	50 x 2	M10	27
50	152	28	124	72	94	54.5	28	36	98	18	M12 x 110	15	17	75 x 2.5	M16	43
100	173	28	145	85	108	65	38	57	96	22	M16 x 140	22	17	90 x 3	M20	50
200	199	36	163	95	118	72	48	80	96	25	M20 x 150	25	17	100 x 3	M24	57

**SPECIFICATIONS**

PARAMETER		VALUE	UNIT
Rated load (R.L.)		1, 2, 5, 10, 20, 50, 100, 200	kN
Combined error (terminal)		$\pm 0.075$	% of R.O.
Repeatability		0.02	% of R.O.
Overload	safe	50 <sup>(1)</sup>	% of R.L.
	ultimate	100 <sup>(1)</sup>	% of R.L.
Sideload	ultimate	100 <sup>(1)</sup>	% of R.L.
Input voltage	recommended	10	V DC or AC
	maximum	18	V DC or AC
Input resistance		$350 \pm 5$	ohm
Output resistance		$350 \pm 0.5$	ohm
Rated output (R.O.)		2.040	mV/V
Tolerance of R.O.		$\pm 0.25$	% of R.O.
Zero balance		$\pm 2$	% of R.O.
Tolerance of shunt calibration values		$\pm 0.25$	% of value <sup>(2)</sup>
Creep at R.L. after 30 minutes		$\pm 0.03$	% of R.L.
Temperature range		- 40 to + 80 (+ 100) <sup>(3)</sup>	°C
Temperature effect (- 10°C to + 50°C)	on output	$\pm 0.003$	% of output/°C
	on zero balance	$\pm 0.003$	% of R.O./°C
Insulation resistance at 200 V DC		> 4	Gohm
Material		Stainless steel	
Electrical connection		5 m shielded four conductor cable	1, 2, 5, 10, 20 kN
		10 m shielded four conductor cable	50, 100, 200 kN
Degree of protection		IP 67	
		ATEX certified versions for use in explosive atmosphere are available II 1GD	

**Notes**

- (1) Referring to recommended loading case  
(2) See calibration sheet of the load cell  
(3) - 40 to + 100°C on demand

**INSTALLATION EXAMPLES**