

ROADRUNNER™ Jack Point Weighing System



FEATURES

- $\pm 0.1\%$ of applied load or $\pm 0.02\%$ of channel capacity, whichever is greater
- 15,000 to 400,000 lbs. capacity
- 1 to 4 channels of input for weighing
- Operates on 10 to 32 Volts DC or 115/230 VAC
- RS-232 for PC Data storage
- Stainless Steel canister and S-type load cells
- Rollaround storage and transportation case

OPTIONS

- Printer
- External battery charger

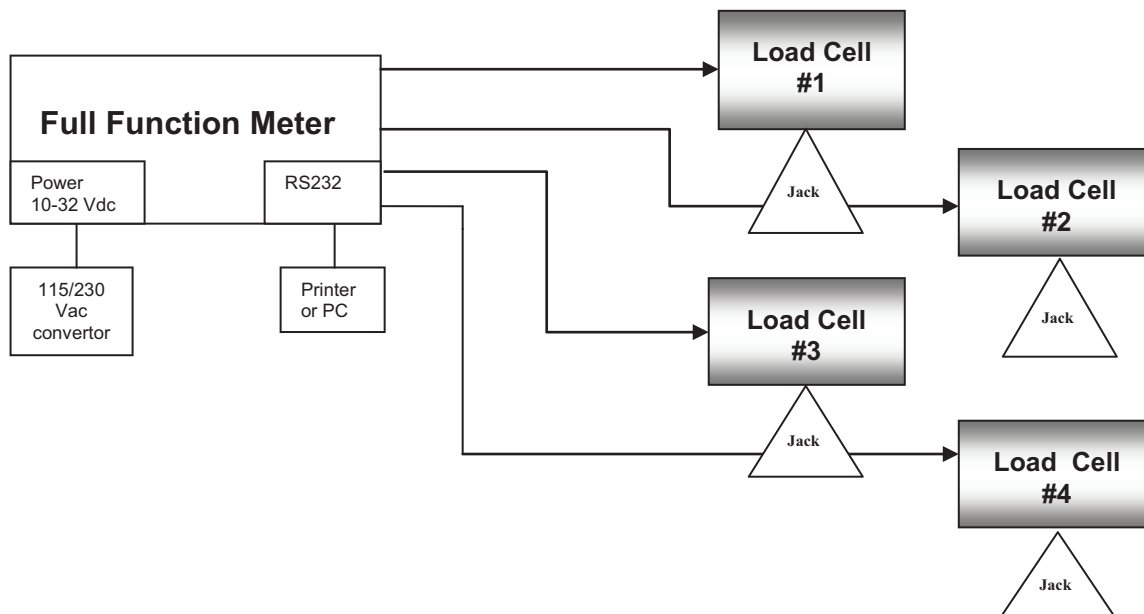
DESCRIPTION

The Road Runner Jack Point weighing systems are ideal for weighing light aircraft or helicopters after retrofitting new equipment. The easy-to-use full-function indicator provides both individual wheel weight and total aircraft weight. Color-coded cables and indicator connectors make it quick and easy to set up the system and eliminate errors. This system provides easy operation and accurate weights.

APPLICATIONS

- Aircraft
- Helicopters

SYSTEM BLOCK DIAGRAM



ROADRUNNER™ Jack Point Weighing System

SPECIFICATIONS	
PARAMETERS	DESCRIPTION
Accuracy	± 0.1% of applied load or ± 0.02% of channel capacity, whichever is greater
Capacity (GVW)	15,000 to 400,000 lbs
METER	
Digit Size	0.4", 2 Line
Display Type	LCD, 1" x 4"
Display modes	Gross weight, Channel weight, lb. or kg
Divisions	1, 2 or 5 (pounds) 0.5, 1 or 2 (Kg)
Communications	RS232
Number of channels	1 to 4
Operating voltage	10 to 32 Vdc or 115/230 Vac (with external charger)
Operating temperature	14 °F to 120 °F
Size of Meter	9" W x 6" T x 6" Deep