

## Tuffer Weigh-in-Motion



### FEATURES

- High accuracy weigh-in-motion scale
- Increases loading efficiency and profitability
- User friendly menu driven format
- Displays bucket weight, truck weight and cumulative totals
- 10 cumulative totals in memory
- Up to 4 uniquely specific calibrations can be stored in the meter
- On-screen user prompts
- Large easy to read LCD
- Quick-tip will allow release of material when overloaded

### OPTIONS

- Printer

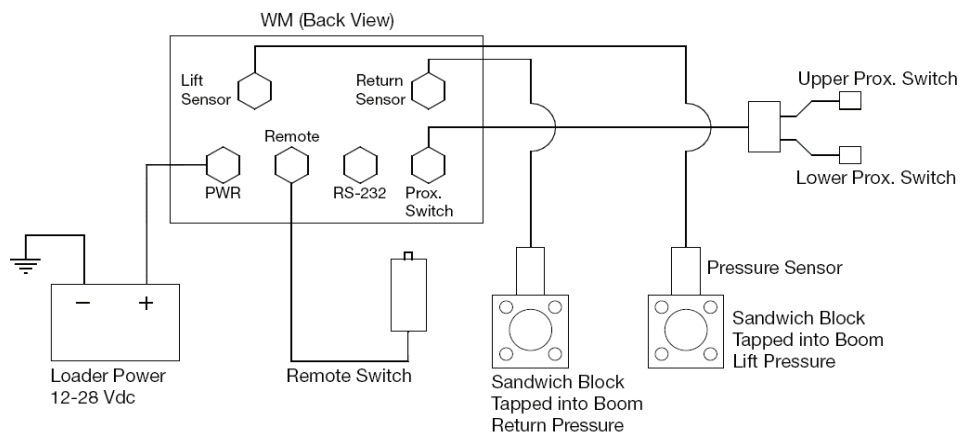
### DESCRIPTION

The Tuffer Weigh-in-Motion scale offers high accuracy weight readings at the point of loading while loading vehicles. The Tuffer system operates on any brand and size of bucket loader. The system incorporates two external hydraulic sensors. These sensors measure the change in the hydraulic lift pressure, which is directly proportional to the load lifted, and converts it to a digital readout in the meter mounted in the cab of the loader. The Tuffer scale meter displays the individual lift weights and cumulative totals by material and customer number. The Tuffer Weigh-in-Motion scale is also equipped with a tip-off function, making it faster and easier to get the correct loaded weight the first time.

### APPLICATIONS

- Quarries
- Docks
- Mining
- Rail car loading
- Solid waste transfer stations
- Batching operations
- Agricultural operations
- Hazardous waste sites
- Landscaping materials
- Decorative rock yards

### SYSTEM BLOCK DIAGRAM



# Tuffer Weigh-in-Motion System

SI Onboard



## Tuffer Weigh-in-Motion

<b>SPECIFICATIONS</b>	
<b>PARAMETERS</b>	<b>DESCRIPTION</b>
Accuracy	2%
Capacity (GVW)	Unlimited
Number of pressure sensors	2
Number proximity sensors	2
Loader Types	All loaders with isolated hydraulics for the lift cylinder
<b>METER</b>	
Screen Type	Dot matrix LCD
Format	Menu driven with hard and soft keys
Size	8.5" L x 3.8" D x 5.4" H;
Weighing Units	Pounds, kilograms, tons, metric tonnes
Meter operating voltage	12 to 28 Vdc
Meter operating temperature	0 °F to 120 °F
Communications	RS232
Memory	10 programmable cumulative memory locations
<b>PRESSURE SENSORS</b>	
Pressure Capacity	25,000 psi minimum burst pressure
Type	Strain gauge pressure transducers
Material	Stainless steel
<b>HYDRAULIC HOSE</b>	
Length	10 ft
Pressure Capacity	23,000 psi minimum burst pressure