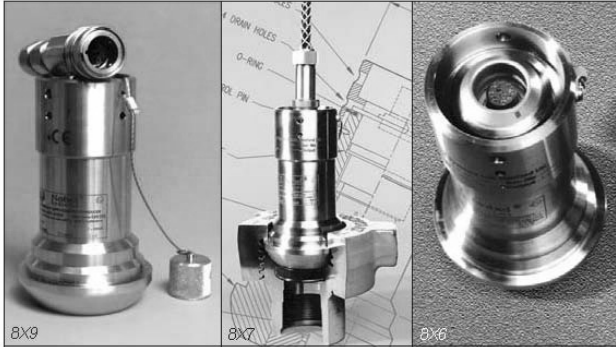


Pressure Transmitters



ATEX

FEATURES

- Ranges to 15,000 psi (0 - 1,000 bar)
- <0.25% accuracy, combined error
- 4 - 20mA 2-wire output
- ATEX I.S. certification
- Ultra-rugged stainless steel construction
- NACE MR-01-75 (sour gas) compliant
- Completely modular serviceable design
- RFI / EMC immunity compliance

OPTIONAL FEATURE

- 22,500 psi secondary-containment

DESCRIPTION

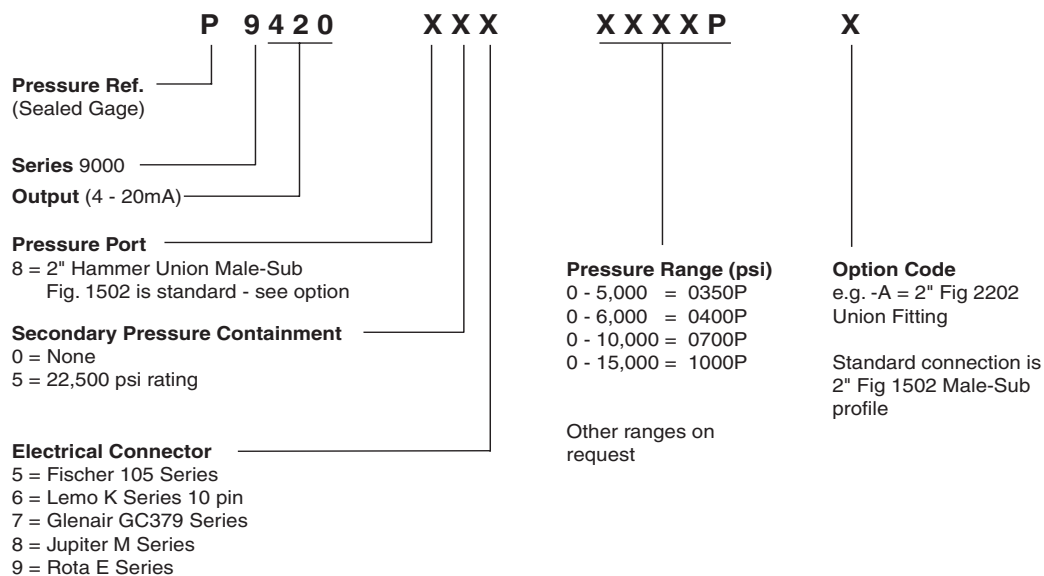
A further development in the range of Hammer-Lug Union fitting Pressure Transmitters, this extension of the P9420 series offers fused ceramic sensors, high shock and vibration immunity, and other benefits. All units are built within a male-sub casing that allows optional secondary pressure containment up to the proof rating of the union assembly.

British built with a 2-year warranty, the P9420-800 transmitters are available with a wide variety of connector options to meet your system requirements.

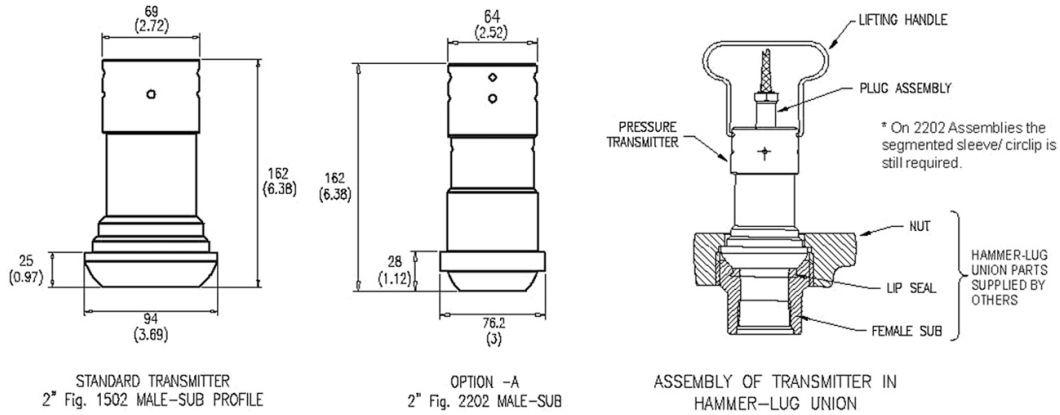
APPLICATIONS

- Mud pressure measurement
- M.W.D. surface sensor
- Kill/Choke manifold pressure
- Mud logging & production test pressure

ORDERING INFORMATION



OUTLINE DIMENSIONS



SPECIFICATIONS

Ranges		0 - 5,000, 0 - 6,000, 0 - 10,000, 0 - 15,000 psi (Others to order)
Performance	Accuracy	<0.25% FSO combined error, non-linearity, hysteresis & repeatability
	Stability	<0.1% FSO per year
	Rise time to full scale	<2ms
	Thermal effects on zero output	±0.008% FSO/°C
	Thermal effects on FSO (span)	±0.008% FSO/°C
	Temperature range	Operational -30°C to +90°C, Storage -40°C to +120°C
Electrical	Output	4 - 20mA, 2 wire
	Full scale output (FSO)	20mA±0.08mA
	Zero pressure output	4mA±0.08mA
	Supply voltage	12 - 28Vdc
	Loop resistance	100Ω - 900Ω
	Insulation resistance	>500MΩ @ 500Vrms
Mechanical	Safe overpressure	150% range
	Secondary containment of pressure within case (85X only)	22,500 psi (all ranges)
	Min burst pressure	300% range (<10,000 psi), 250% range (15,000 psi)
	Effect of Union Make-Up on FSO	Negligible
	Wetted parts material	Al ₂ O ₃ UNS S31803 Duplex St Steel
	Weight (Transmitter only)	4kg (8.8lbs)
Mounting	Replaces Male-Sub component within 2" Fig 1502 and 2202 Hammer Lug unions (See Technote 943 for details of Hammer Lug Union assembly)	
Environmental	Protection	IP68 BS5490: 1977, IEC 529: 1976
	RFI / EMC immunity	Tested to IEC 801-3 Parts 2, 3, 4 & 6 EN 50082-2
	Intrinsic safety certification	EXia IIc T4 Sira 02ATEX2388X
Media Compliance	NACE MR-01-75 Rev03 Sour Gas rated	
Shock / Vibration	IEC 68 Test Ea 100g / 6ms, 3 axes Test Fc 10 - 800Hz, 5g, 3 axes	